

## TIPPER BODY

Mod.: SN12

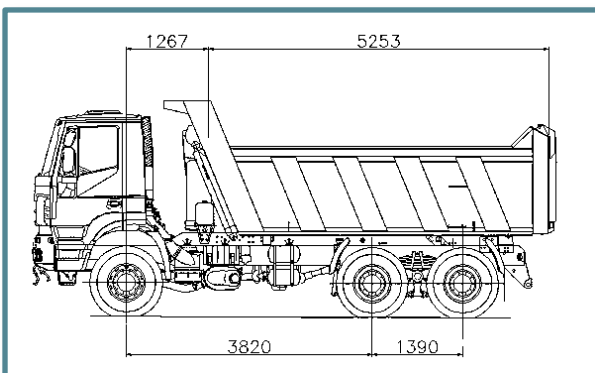
Capacity: 13.5 m<sup>3</sup>



## TECHNICAL CHARACTERISTICS LOADING BOX

<b>CAPACITY:</b>	13.5 m <sup>3</sup>
<b>DESIGNED FOR:</b>	
• CHASSIS:	6x4 & 6x6
• DISTANCE BETWEEN 1 <sup>st</sup> & 2 <sup>nd</sup> AXLE:	3500 TO 3900 mm
• SHORT CAB	
<b>TIPPING ANGLE:</b>	47°
<b>CENTRAL STABILIZER:</b>	ANTI-ROLLOVER, SCISSORS TYPE
<b>STRUCTURE:</b>	
• INTERIOR SHEET:	ANTI-WEAR STEEL HB 400
• OTHER PIECES:	STEEL S355J0
<b>THICKNESS:</b>	
• BOTTOM:	8 mm
• SIDES:	6 mm
• DOOR:	6 mm
• FRONT:	6 mm
<b>DOOR:</b>	
• DOOR WITH TOP ROTATION	
• AUTOMATIC CLOSING OF INDEPENDENT HOOKS	
<b>TOTAL WEIGHT APPROX:</b>	±4730 kg

(INCLUDES SUBFRAME, HYDRAULIC EQUIPMENT AND SPARE TYRE)



## HYDRAULIC EQUIPMENT

<b>CYLINDER G53:</b>	
• EXTENSIONS:	3
• STROKE:	3300 mm
• FIXING:	BALL-AND-SOCKET AT BOTH ENDS
<b>PUMP (PISTONS):</b>	Q=60cm <sup>3</sup> /rev
<b>OIL TANK:</b>	80 l
<b>SECURITY VALVE</b>	
<b>SLOW DOWN SWITCH CONTROL</b>	
<b>PNEUMATIC CONTROL FROM THE CABIN</b>	
<b>EXTERNAL LIMIT SWITCH TO CYLINDER</b>	

**DANIMA INGENIERIA AMBIENTAL, S.A.**

PARQUE EMPRESARIAL PRINCIPADO DE ASTURIAS, PARCELA 12 – 33417 AVILES (ASTURIAS) SPAIN

web: [www.danima.es](http://www.danima.es)

mail: [danima@danima.es](mailto:danima@danima.es)

tel: +34 985 514 450